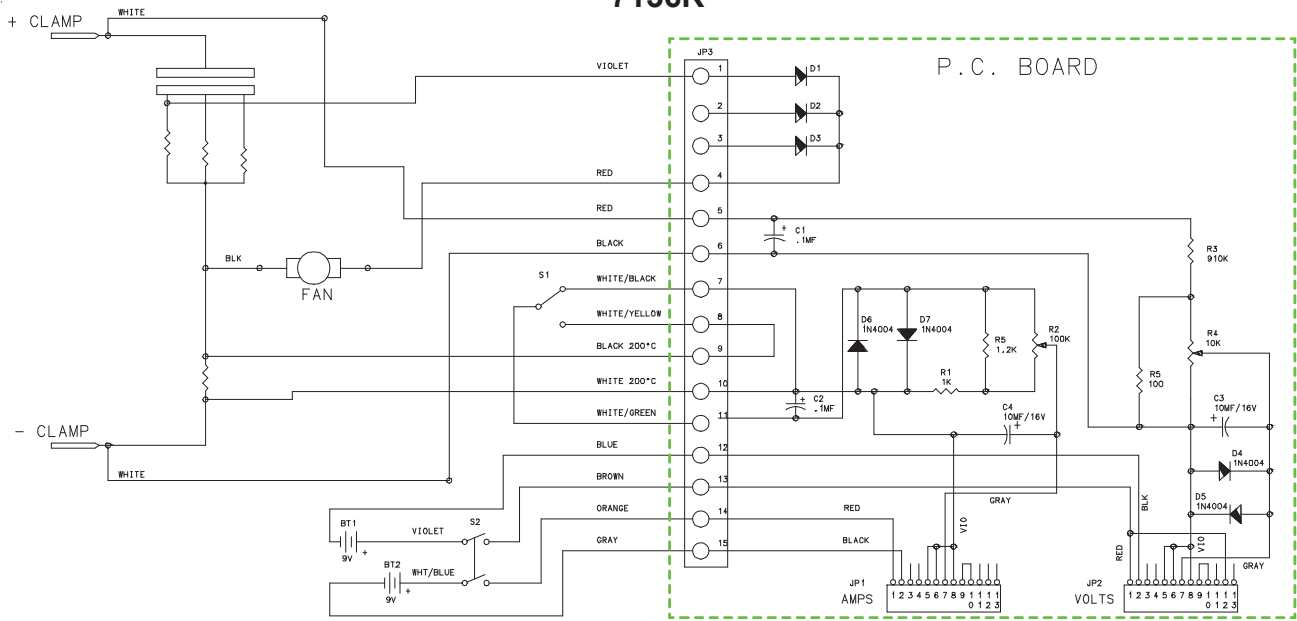


WIRING DIAGRAM 7136R



REPLACEMENT PARTS

AMMETER/VOLTMETER (1 EACH).....	611456
HARNES, AMMETER.....	611457
HARNES, VOLTMETER.....	611458
BRACKET & NUT ASSY.....	610337
TOP PLATE ASSY.....	610338
CARBON STACK W/CERAMIC TUBE.....	610871
CERAMIC TUBES.....	610872
FAN KIT W/SIDE PANEL.....	611459
FAN W/LEADS.....	611447

Parts may be purchased from your local authorized service depot listed in the Service Procedure Manual supplied with your products.