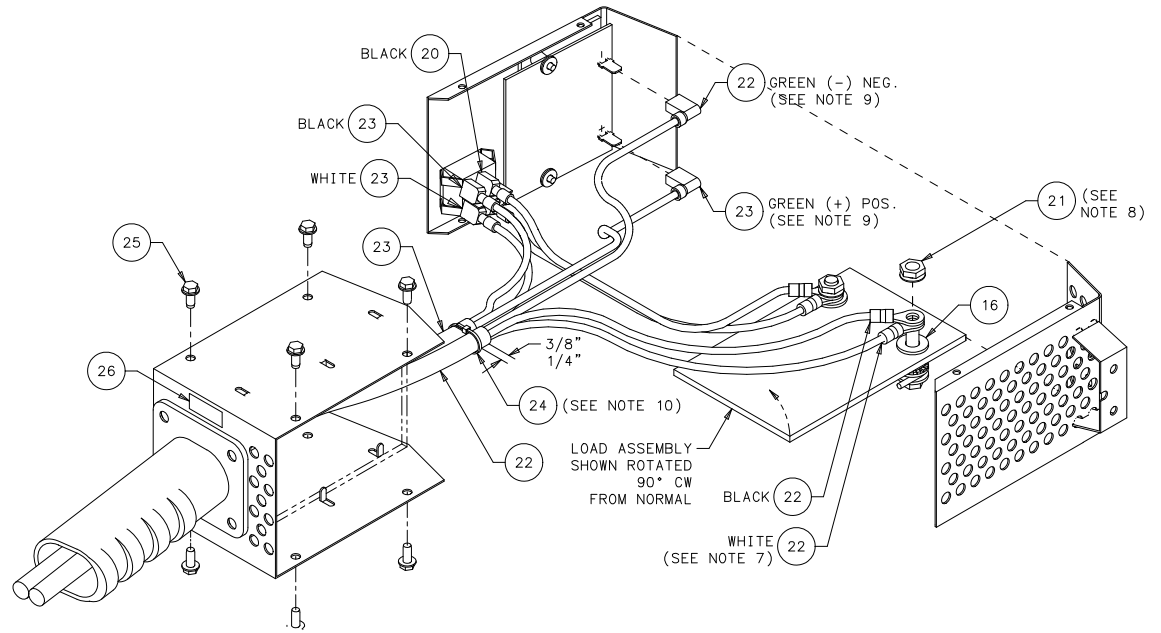
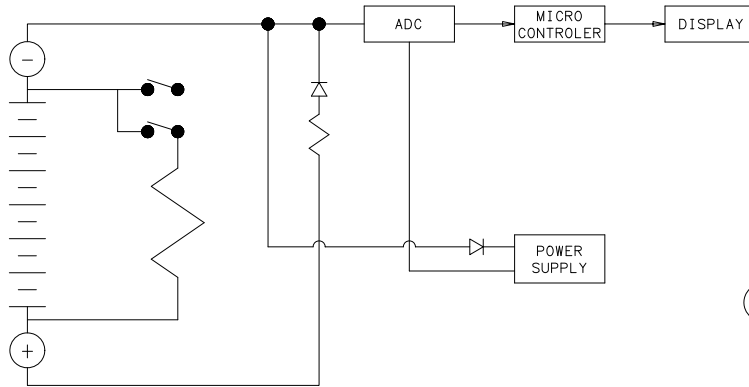


tesstools.net

ITEM	PART NO.	DESCRIPTION	DWG. NO.	QTY
22	047-1999	DC CABLE NEGATIVE 6033	B4262	1
23	047-1998	DC CABLE POSITIVE 6033	B4261	1
24	072-0007	WIRE TIE	A2428	1
25	020-0162	SCW, HHSM 8-32 X 3/8	A2392	8
26	029-0155	LABEL, S/N 4 PART	B2789	.25

REV	REVISION	ECN	BY	APPR	DATE
	SEE SHEET 1 FOR REVISION INFORMATION				



NOTES:

- WHITE & BLACK WIRES OF NEGATIVE DC CABLE (22) WHEN PLACED ON BOLT OF LOAD ASSEMBLY MUST HAVE WHITE WIRE (22) ON BOTTOM.
- TIGHTEN NUT (21) TO 60 INCH-LBS TORQUE. HOLD LOWER NUT WITH WRENCH TO PREVENT LOWER NUT TURNING.
- THE GREEN WIRE OF NEGATIVE DC CABLE (22) MUST BE INSTALLED AS SHOWN. THE GREEN WIRE OF POSITIVE DC CABLE (23) CAN NOT EXCHANGE POSITIONS WITH THE NEGATIVE.
- THE PROTRUSION OF WIRE TIE (24) MUST BE PLACED AS SHOWN ON EITHER SIDE OF NEGATIVE & POSITIVE DC CABLES BEFORE TIGHTENING. THE RED & BLACK CLAMPS MUST BE EQUAL DISTANCE FROM HANDLE. LOCATE WIRE TIE WITHIN DIMENSION SHOWN.
- TO SECURE EVERYTHING IN POSITION, PULL THE CABLES FROM BASE OF HANDLE. WHILE PULLING CABLES GUIDE HEATSHIELD BETWEEN TABS AND TOP WRAPPER INTO POSITION. PLACE PARTIAL ASSEMBLY INTO FIXTURE AJ1187 AND INSTALL SCREWS (25). DRIVE SCREWS USING 30 FT-LBS OF TORQUE.
- ASSEMBLY ORDER OF WIRE TO COMPONENTS MUST BE AS FOLLOWS:
 - INSTALL WASHER (16) ONTO BOLT AS SHOWN.
 - PLACE WHITE WIRE (22) ONTO BOLT, THEN BLACK WIRE (22).
 - TIGHTEN NUT (21) PER NOTE 8.
 - INSTALL BLACK WIRES (20) FROM LOAD ASSEMBLY TO SWITCH AS SHOWN.
 - INSTALL GREEN WIRES (22 & 23) TO CIRCUIT BOARD PER NOTE 9.
 - INSTALL WHITE & BLACK WIRES (23) TO SWITCH AS SHOWN.
 - INSTALL WIRE TIE PER NOTE 10.
- DO NOT TWIST & LOOP WIRES AROUND EACH OTHER, THIS WILL CAUSE INCORRECT METER READINGS.
- PLACE DATE CODE LABEL (26) ON BOTTOM OF TESTER AS SHOWN.
- TEST PER SPEC 006-0168 (A5362).

ASSOCIATED EQUIPMENT CORP. ST. LOUIS, MISSOURI 63115					
B4263 DWG NO.	DIMENSIONS ARE IN INCHES UNLESS OTHERWISE SPECIFIED		TITLE ASSEMBLY, HAND HELD TESTER 6033		
	UNLESS OTHERWISE SPECIFIED TOLERANCES ARE		DRAWN BY GJ. BEQARI	DATE 06/07/07	SCALE NTS
	FRACTIONAL ± 1/64	DECIMAL .XX ± .01	CHECKED BY	DATE	PROJECT NO.
	DECIMAL .XXX ± .005	ANGULAR ± .5°	PART NO. 6033	DRAWING NO. B4263	REV.
DO NOT SCALE DRAWING					