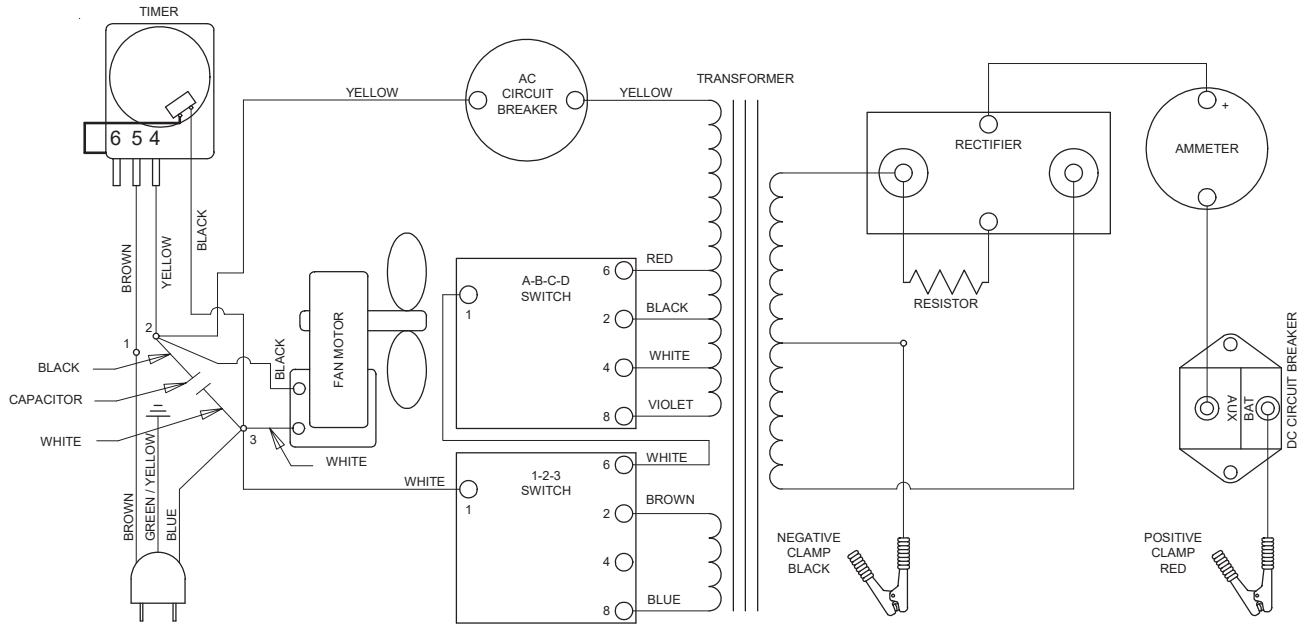


MAINTENANCE INSTRUCTIONS

Worn clamps and jaws should be replaced. Worn parts can lead to poor connections and present a safety hazard. See the parts list for part number of jaw and clamp kits. Any maintenance or repair of this unit that involves disassembly of the cabinet should be done only by a qualified service technician.

WIRING DIAGRAM



REPAIR PARTS LIST

Item	Description	Part No.
1	Front Leg	605671
2	Axle w/nuts	610052
3	Wheel w/nuts	610553
4	Rectifier	610850
5	Transformer	610870
6	Fan Blade	610189
7	Fan Motor	610175
8	AC Circuit Breaker	610397
9	DC Circuit Breaker	610536
10	Ammeter	605204
11	Switch w/knob	610560
12	Timer w/knob	611277
13	AC Cord	611274
14	DC cable set w/clamps	610574
15	Stop/Go Lite	604579
16	Clamps (1 pair w/jaws)	6202
17	Jaw Kit (repairs 1 clamp)	610970
18	Base	610054
19	Front Panel	611275
20	Back Panel	610597
21	Side Panel-Right facing charger	611032
	Handle (not shown)	605213
	Top Panel (not shown)	611011
	Side Panel-Left facing charger (not shown)	611031
	Capacitor (not shown)	611276

