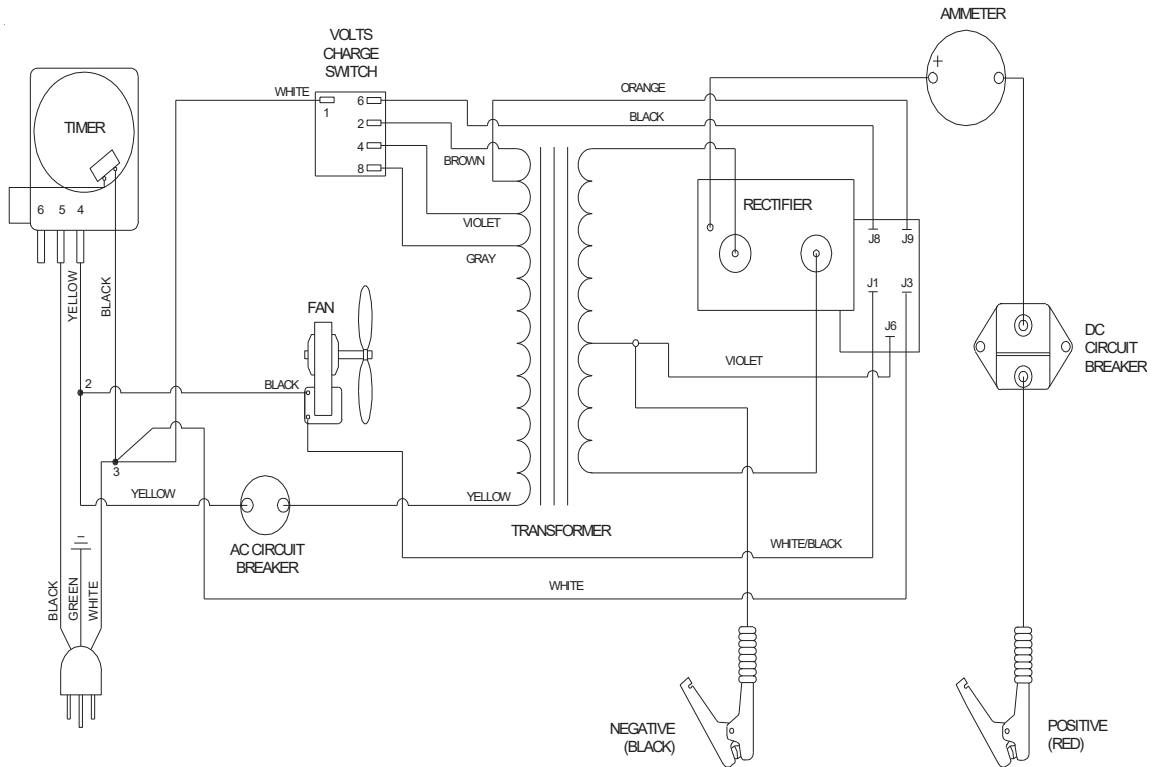


## WIRING DIAGRAM



### MODEL 6012AGM PARTS LIST

Item	Description	Part No.
1	Front leg .....	610825
2	Wheels w/nuts .....	605672
3	Axle w/nuts .....	610052
4	Transformer .....	610819
5	Rectifier .....	611484
6	Fan Blade .....	610189
7	Fan Motor .....	610190
8	Timer w/knob .....	611245
9	Ammeter .....	605204
10	DC Circuit Breaker .....	610536
11	DC Cable set .....	610820
12	PCB AGM .....	611476
13	AC Cord .....	611248
14	Switch w/knob .....	611187
15	Clamps (1 pair, includes jaws) .....	6202
16	Jaw Kit (repairs 1 clamp) .....	610970
17	Pointer Knob-Switch .....	603147
18	AC Circuit Breaker .....	603597
19	Handle .....	605213
20	Clamp Bar .....	610517

