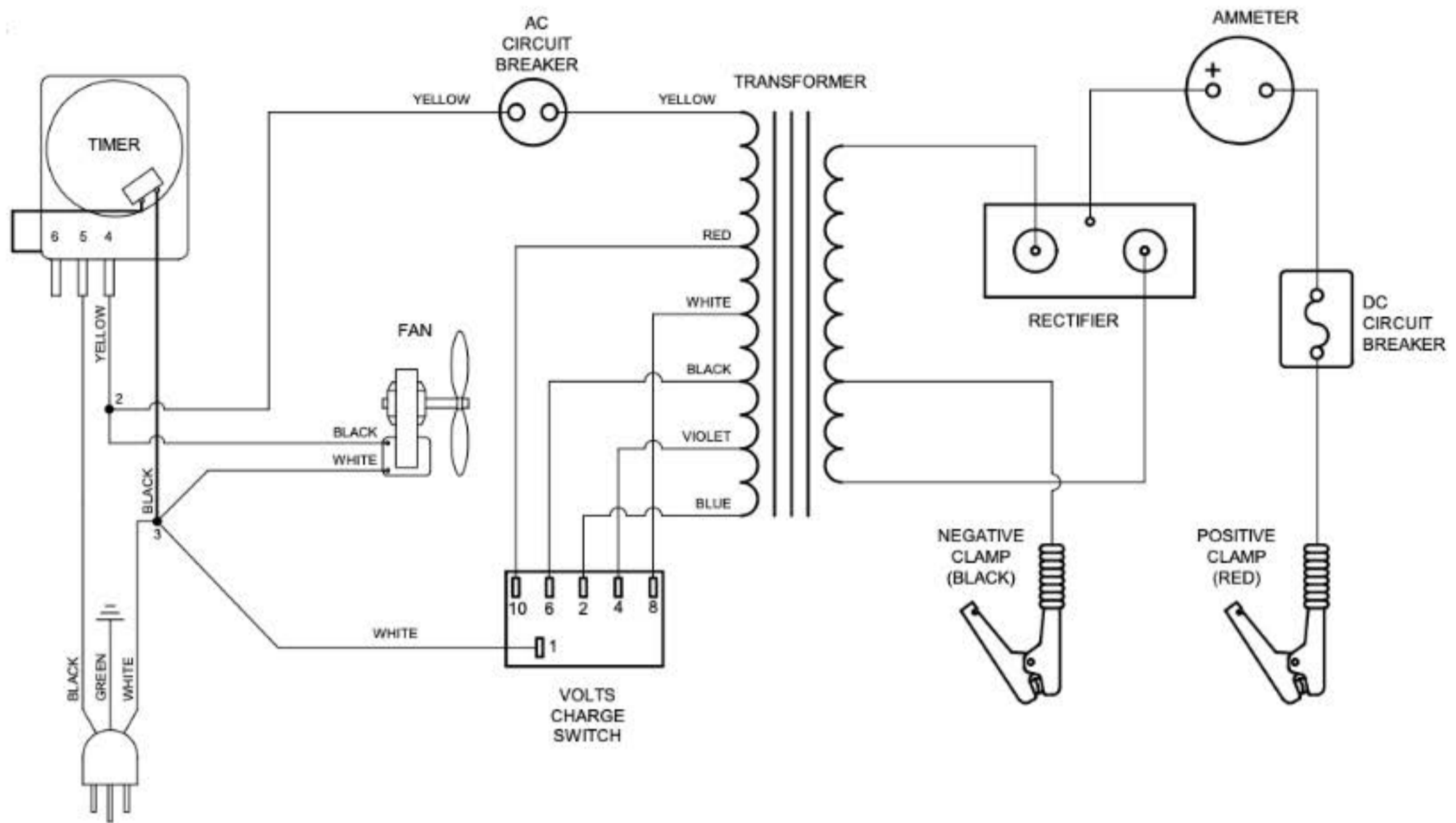
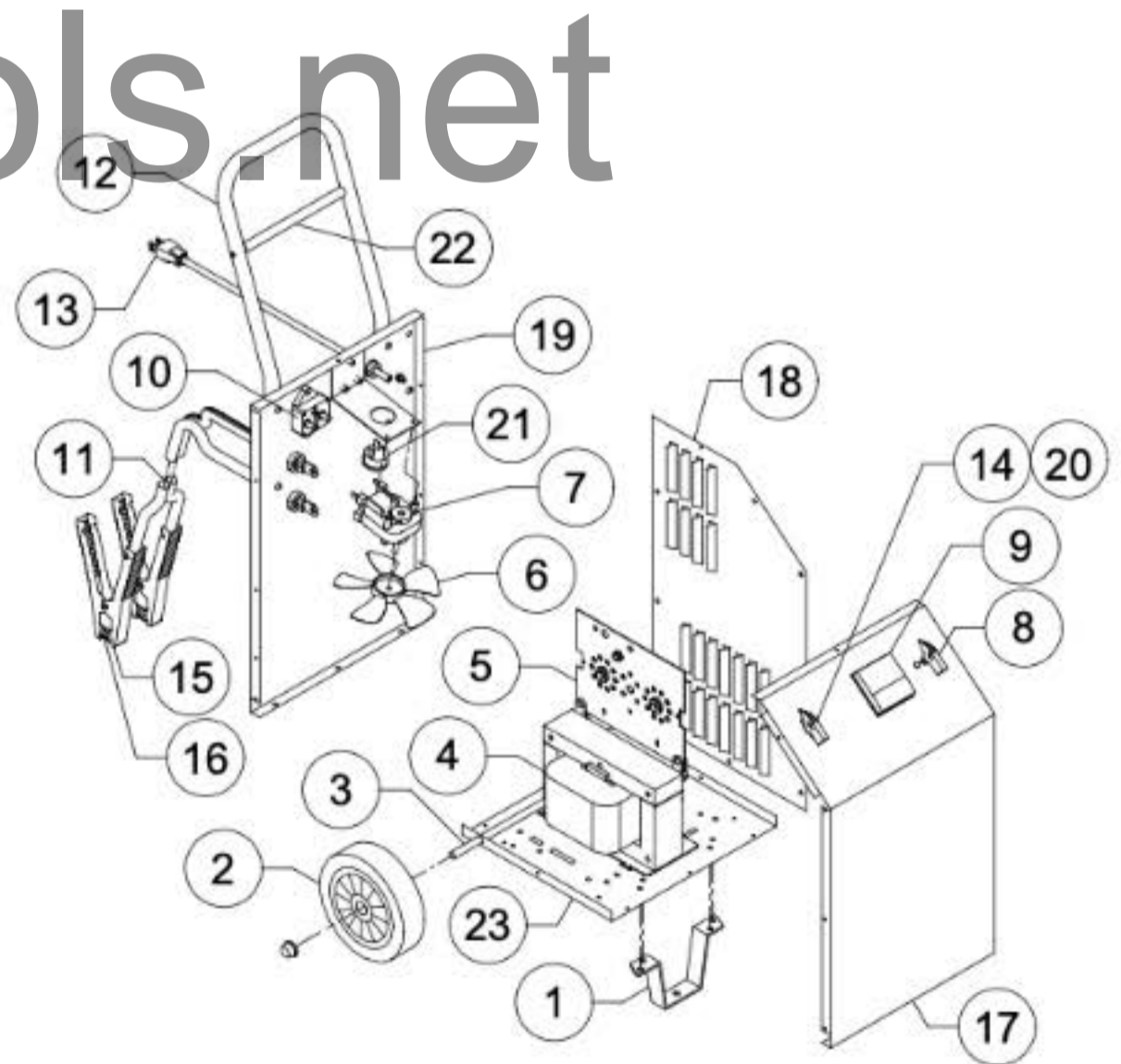


WIRING DIAGRAM



MODEL 6006 PARTS LIST

Item	Description	Part No.
1	Front leg	605671
2	Wheels w/nuts	611157
3	Axle w/nuts	610052
4	Transformer	610862
5	Rectifier	610850
6	Fan Blade	610189
7	Fan Motor	610190
8	Timer	611245
9	Ammeter	605204
10	DC Circuit Breaker	610536
11	DC Cable set	611084
12	Handle	605213
13	AC Cord	611248
14	Switch w/knob	611083
15	Clamps (1pair, includes jaws)	6202
16	Jaw Kit (repairs 1 clamp)	610970
17	Front Panel	611252
18	Right Side Panel	611032
19	Back Panel	610977
20	Pointer Knob	603147
21	AC Circuit Breaker	610397
22	Clamp Bar	610517
23	Base	610054
	Not shown	
	Top Panel	611011
	Left Side Panel	611031



MAINTENANCE INSTRUCTIONS

Worn clamps and jaws should be replaced. Worn parts can lead to poor connections and present a safety hazard. See parts list for part number of jaw and clamp kits. Any Maintenance or repair of this unit that involves disassembly of the cabinet should be done only by a qualified serviceman. Incorrect reassembly may result in a risk of electric shock when the unit is subsequently used.