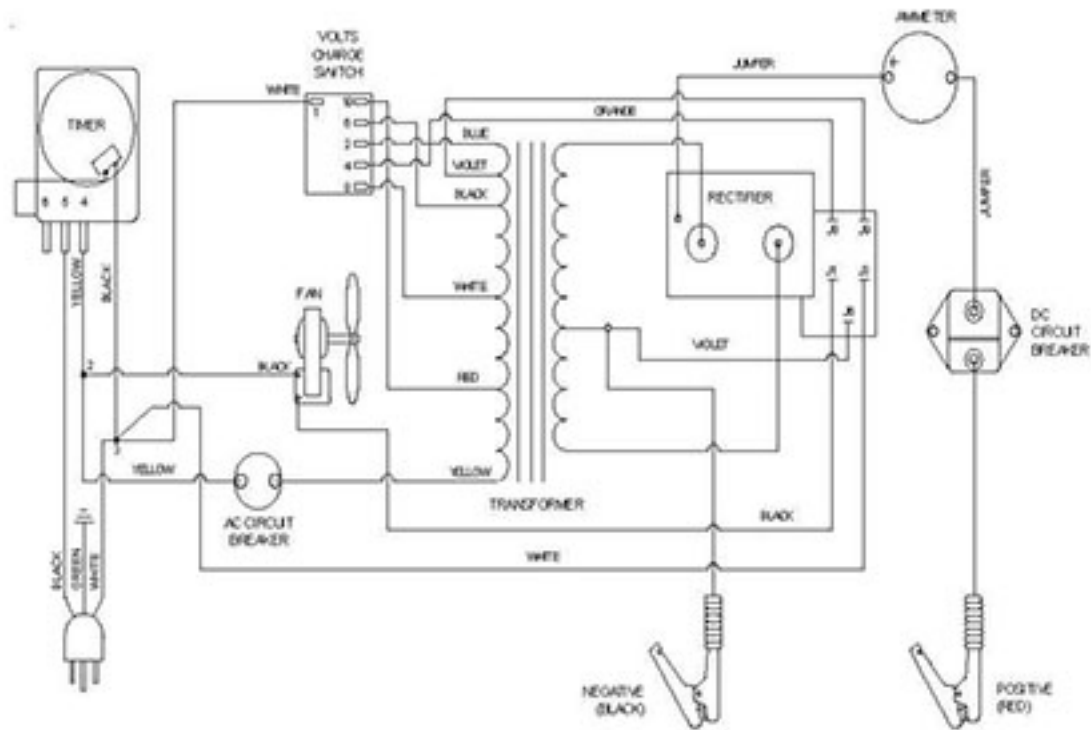


WIRING DIAGRAM



MODEL 6006AGM PARTS LIST

Item	Description	Part No.
1	Front leg	605671
2	Wheels w/nuts	605672
3	Axle w/nuts	610052
4	Transformer	610862
5	Rectifier	610850
6	Fan Blade	610189
7	Fan Motor	610190
8	Timer	611245
9	Ammeter	605204
10	DC Circuit Breaker	610536
11	DC Cable set	611084
12	Handle	605213
13	AC Cord	611248
14	Switch w/knob	611083
15	Clamps (1pair, includes jaws)	6202
16	Jaw Kit (repairs 1 clamp)	610970
17	Pointer Knob	603147
18	AC Circuit Breaker	610397
19	Circuit Board, AGM	611476
20	Clamp Bar	610517

